

SUREPRINT
MACHINERY LTD.

2015

PRODUCT CATALOGUE

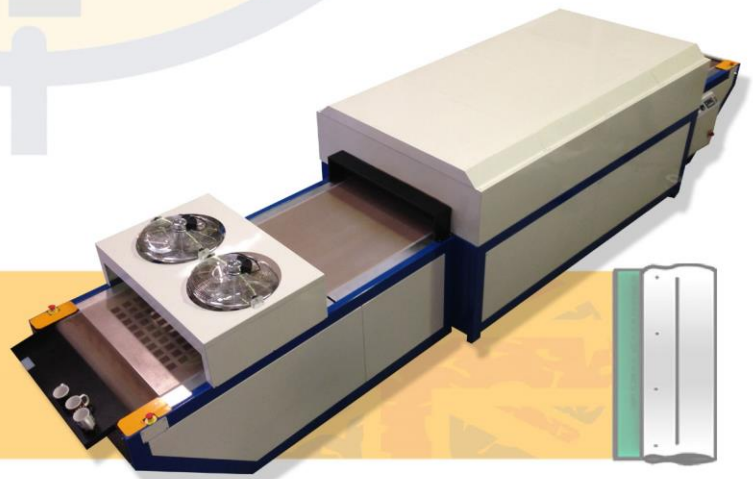


Table of Contents

1. About Us

1.1.	Company Information	4
1.2.	Distributor Enquiries	4

2. Automatic Carousels

2.1.	Trojan	5
2.2.	Ultramatic	7
2.3.	Hurricane	9
2.4.	Spectrum-SL	11
2.5.	Prism II	12

3. Manual Carousels

3.1.	4 Station, 4 Colour	13
3.2.	6 Station, 6 Colour	14
3.3.	8 Station, 8 Colour	14
3.4.	12 Station, 10 Colour	14
3.5.	12 Station, 12 Colour	15

4. Semi-Automatics

4.1.	Clam Type Semi-Automatic Wallpaper Proofer	16
4.2.	Paralift Semi-Automatic Printer	17
4.3.	Paralift Multi-purpose Glass Printer	17

5. Bag Printers

5.1.	Multi Printer – MP1	19
------	---------------------	----

6. Tea Towel & Multi Colour Inline Printers

6.1.	Overview	21
------	----------	----



6.2.	Large Format Version	22
<hr/>		
7.	Hand Benches	23
<hr/>		
8.	Flash Dryers	
8.1.	Automatic Machine Flash Dryer	24
<hr/>		
8.2.	Manual Carousel Flash Dryer	24
<hr/>		
9.	Drying Systems	
9.1.	Infra-Red	25
<hr/>		
9.2.	Forced Air	25
<hr/>		
9.3.	U.V.	26
<hr/>		
9.4.	Gas	26
<hr/>		
9.5.	Combination	26
<hr/>		
18.	Drying Cabinets	
18.1.	Vertical	27
<hr/>		
18.2.	Horizontal	27
<hr/>		
18.3.	Combination Exposure / Drying Units	27
<hr/>		
19.	Exposure Units	
19.1.	Models 1 – 3	28
<hr/>		
19.2.	Actinic Range	29
<hr/>		
19.3.	Light Sources	29
<hr/>		
20.	Washout Booths	
20.1.	Stencil Preparation Unit	30
<hr/>		
20.2.	Standard Models	30
<hr/>		



1. About Us

1.1. Company Information



*SUREPRINT
UNIT 1 PARK COURT
PARK LANE BUSINESS PARK
KIRKBY IN ASHFIELD
NOTTS
NG17 9GW
ENGLAND*

Established in 1994, Sureprint has grown to become one of the UK's leading trade manufacturers of screen printing equipment and supplies. Designing and building in the UK to fulfil an extensive range of printing solutions. Our network of distributors has enabled us to advance new and original product ideas paving the way for big things in 2015. In addition to expanding operations and developing a host of innovative new products we are reaching further afield into new global markets. If you are thinking about expanding your business and looking for new product ranges to sell and distribute, we are always keen to discuss new opportunities.

Legal Notice: <http://bit.ly/sp-legal>

Advantages of working with us at a glance

- Ability to offer instant solutions to screen printing machinery needs.
- Opportunities to design and build unique new product lines from concept through to market.
- Flexibility to offer a wide range of new ideas not developed elsewhere.

1.2. Distributor Enquiries

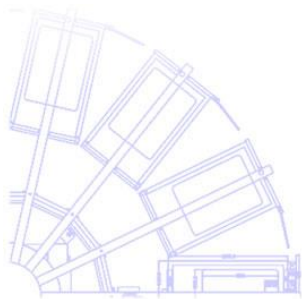
<http://bit.ly/sp-distributors>

Sureprint's reputation for manufacturing some of the best printing machinery worldwide is founded on our consistently high quality and reliable products. Working closely with our customers to evolve traditional print processes in adaptable new directions is what keeps us at the cutting edge of development.

If you're interested in dealing with robustly engineered and UK manufactured products, contact us today to join our growing distribution network. We're always happy to provide any additional information about what we offer.



2. Automatic Carousels



A full range of automatic textile and graphic printing machines are available to meet the needs of start-ups or professionals looking to upgrade. We can offer targeted solutions to your automatic printing needs as most of our machines are available with a range of modifications and features to suit any requirements. If you are looking for a semi-automatic or something unusual and bespoke simply get in touch and we will provide you with a quote tailored to you.



2.1. Trojan

<http://bit.ly/sp-trojan>



- The first automatic carousel built in the UK for over 20 years!
- Exceptional build quality and tailoring to bespoke specifications
- Affordable, reliable and user friendly
- Highly adaptable and capable of large scale printing

The Sureprint Trojan series machines are manufactured in Nottingham which ensures exceptional build quality and tailoring to bespoke specifications. The Trojan is designed to be an affordable, reliable and user friendly option for print shops looking to expand or making the first leap from manual to automatic. Despite its relatively small footprint the Trojan is highly adaptable and capable of large scale printing on areas up to 100cm x 70cm and a series of efficient print modes and settings are easily altered using an intuitive touch screen control panel. Standard operating cycle time of 6 seconds for tea towels and 4.8 seconds for T-shirts enables up to 750 prints per hour. The Trojan is extremely durable and robustly built from resilient materials capable of demanding and heavy duty use.

Overall Machine Diameter:
4 Meters

Max Frame Size:
125cm x 90cm

Max Print Area:
100cm x 70cm

Other Models



Overview

Rotation

- Precision servo drive (parameterised for different pallet weights for smooth rotation), both direction drive (CW and CCW)
- Servo driven indexing in combination with MULTIPRINT FLASHING saves extra colour

Lifting

- Single lifting cylinder with central off-contact mechanism Print head
- Consists of keypad panel with control over all head and machine motion
- AC driven carriage travel with frequency converter for speed and torque control
- Both sides print length adjustment, carriage hand manipulation fault proof

Screen Locks

- Pneumatic screen locks controlled from keypad, additional manual clamps for pressure off screen
- position save Registration
- Upper division tolerance (directly responsible for print registration quality) in range of +/-0,01 mm, for average printing point on pallet means deviation of +/- 0,02mm (average for textiles), also enables other material and surface printing
- Front micro-alignment (3 axis) and rear (1 axis)
- Fast print alignment with floor light pallet

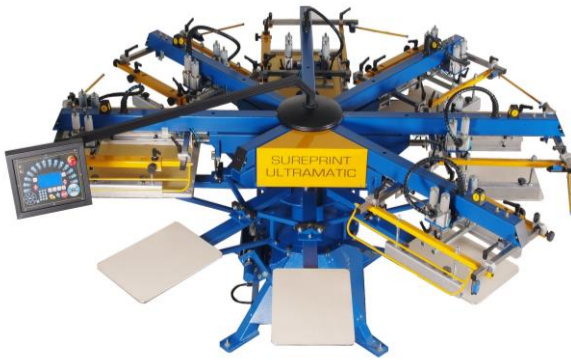
Squeegee and flood bar

- Independent squeegee and flood print setting
- Squeegee air pressure regulator with glass gauge
- Tool-less squeegee and flood bar angle adjustment



2.2. Ultramatic

<http://bit.ly/sp-ultramatic>

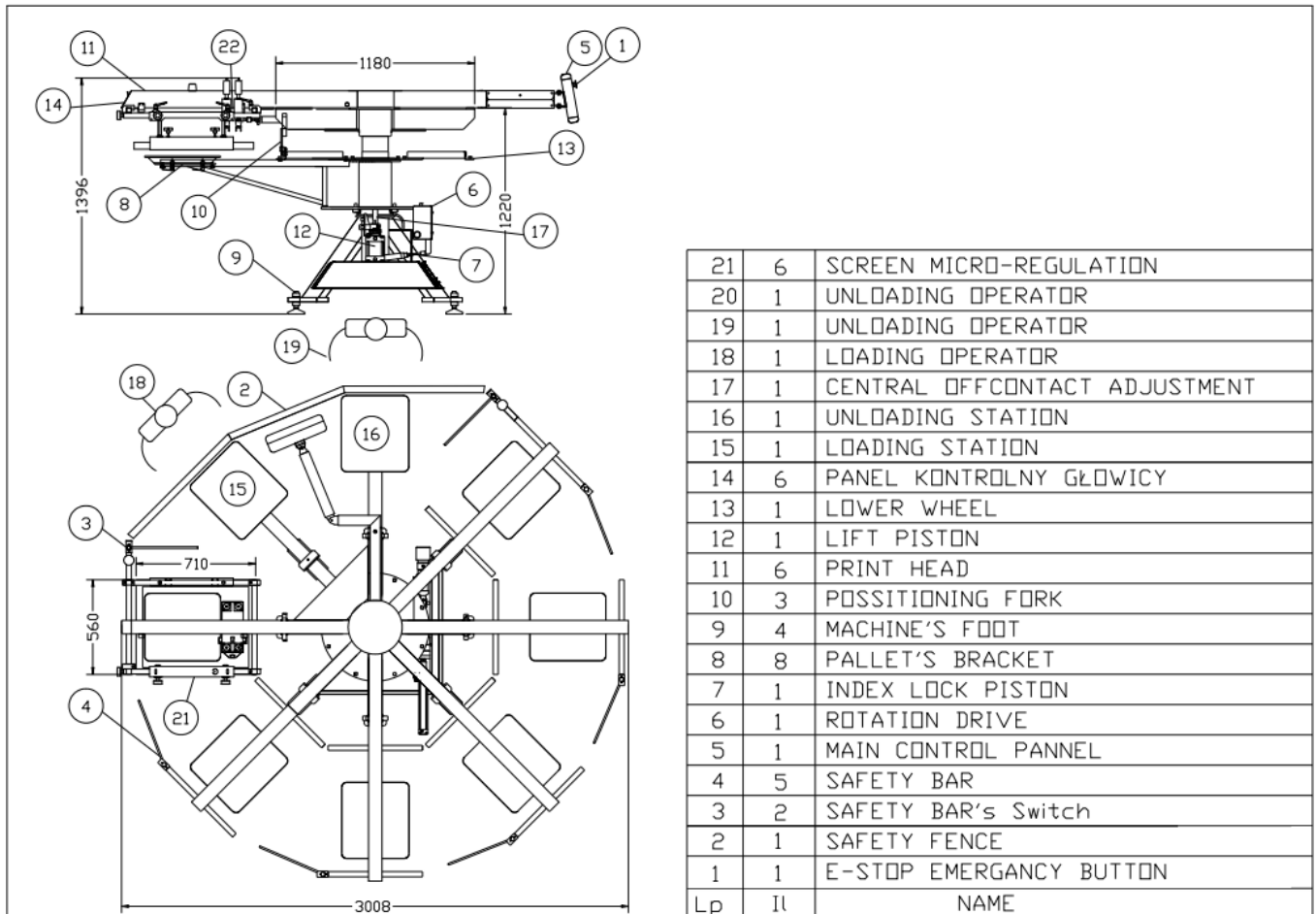


One of lowest cost machines of its kind on the market capable of delivering fast, high quality prints. The Ultramatic is designed around simplicity and affordability which is why the end result is not only low cost but also low maintenance. Though we have streamlined some aspects of the build, many of the key components and print registration parts are identical to those used in our high-end models alongside unrestricted software usability.

Overview: reasons to choose an UltraMatic: Ideal for a start-up or established print business wanting an additional machine printing simple, high quality designs on an affordable budget.

- 4 - 7 colors
- Maximum image area:
- 58 x 41 cm (22" x 16")*
- 41 x 41 cm (16" x 16")

* ULTRAMATIC 6/4, ULTRAMATIC 6/5



**ULTRAMATIC
8s 6c**

1 Total diameter	300 cm
2 Base diameter	118 cm
3 Total weight	1320 kg
4 High	160 cm
5 Air consumption / pressure	500 l/min, 6 bar(90psi)
6 Electrical requirements	230V, 1PH, 60W, 1A
7 Max PRINT area	16" x 16"
8 Direction	one side(CCW)
9 Max print speed	900 cycle/hour
10 Squeegee & Flood speed	Independent for each printing head
11 Warranty	12 Month limited warranty
12 Multiprint	Multiple print for chosen print head
13 Multi print TABLE UP / DOWN	Choice for UP or DOWN TABLE position between MULTI PRINT STROKES
14 Test print	Possibility to run press in test print mode for individual print head or for all colours
15 Free wheel	Possibility to unlock indexer to move lower wheel with table by hand
16 Max Screen Size	Size 56x71 cm
17 Programing machine cycle	Possibility to program for special sequence printing system

FOR ADDITIONAL EQUIPMENT DETAILS & OPTIONS PLEASE CONTACT US



2.3. Hurricane

<http://bit.ly/sp-hurricane>



The Hurricane series is a fully equipped compact machine with AC driven print heads, servo INDEXER rotation system and a fully featured control keypad on every head. The Software is fully compatible with all machine hardware possibilities: Sequences, Multi print flashing, half index in both directions, fully implemented IR Quartz flashes. The availability of front-rear and side screen holders expands the options for convenient and efficient use.

Available Colours:

- 4**
- 5**
- 6**
- 7**
- 8**
- 9**
- 10**

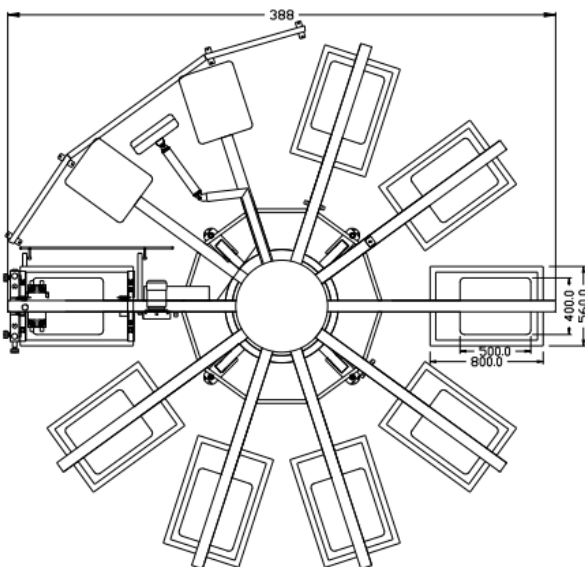
When HURRICANE is the right choice: If demanding - high quality, high speed prints are wanted for medium print formats up to 16 x 18".

Print Format	
410 x 410 mm	16 x 16"
410 x 460 mm	16 x 18"

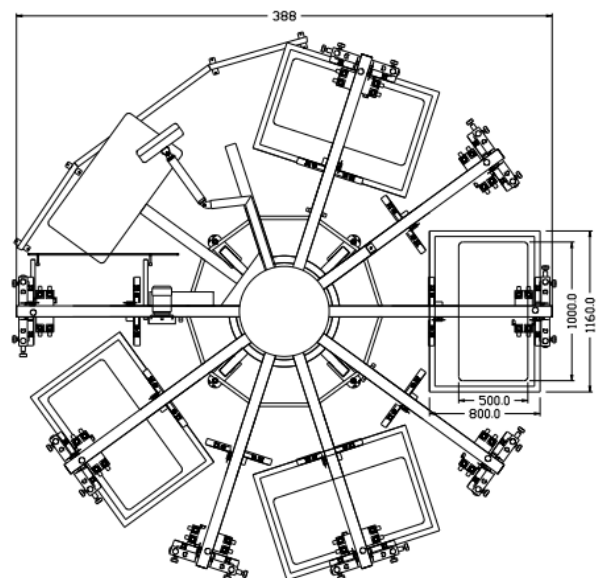
NOTE: ANY HURRICANE CAN BE MADE AS A SIDE SCREEN HOLDERS VERSION

See **Flash Dryers** section for suggestions to work with HURRICANE: <http://bit.ly/sp-flash>

See **Tunnel dryers** section for suggestions to work with HURRICANE: <http://bit.ly/sp-ir>



HURRICANE 10s 8c 41 x 41 cm print area configuration



HURRICANE 10s 8c 100 x 41 cm print area configuration



HURRICANE
10 stations / 8 colors

Machine	
1 Total diameter	380 cm
2 Base diameter	118 cm
3 Total weight	2170 kg
4 High	134 cm
5 Air consumption / pressure	464 l/min, 6 bar(90psi)
6 Electrical requirements	
7 Max PRINT area	16" x 18"
8 Direction	CCW, CW
9 Max print speed	1100 cycle/hour
10 Squeegee & Flood speed	Independent for each printing head
11 Guarantee	12 Month limited warranty
12	Multiple print for chosen print head
13 MULTIPRINT table UP/DOWN	Choice of table position in MULTIPRINT mode
14 MULTIPRINT FLASHING function	Possibility to PRINT -FLASH -GO BACK-PRINT AGAIN
15 Test print	Possibility to run press in test print mode for individual print head or for all colors
16 Free wheel	Possibility to unlock indexer to move lower wheel with table by hand
17 Max Screen Size	56 x 85 cm
18 Programing machine cycle	Possibility to program for special sequence printing system
19 Water base print system	The software is prepared to choose between plastisol or water base ink
20 Half Index:	Possibility to move lower wheel in half rotation of full index. CW and CCW direction available
21 Wide range of machine's speed adjustment:	Possibility to change velocity and acceleration of machine, 2 programmable delays in machine's cycle.
22 PALLET MODE function:	Possibility to change velocity and acceleration of machine, 2 programmable delays in machine's cycle
23 DOUBLE INDEX function:	Possibility to produce 2 orders together, even colors print first job, odd colors print second job



2.4. Spectrum-SL

<http://bit.ly/sp-spectrum>



The Spectrum-SL covers most of screen printers' demands with a printable image area of 51 x 51 cm (20 x 20"), which can be upgraded to print 40 x 70 cm. The standard Spectrum-SL is equipped with servo indexer rotation system, AC driven print heads and pneumatic lifting.

This highly reliable design is engineered to maximize efficiency of the pneumatic indexing system's inertial forces. The Spectrum-SL offers considerable flexibility with your choice of two styles of screen mounting systems, side screen clamping or front-rear screen clamping.

Quick change pallet system with fast sliding pallets and pallet locator makes pallet placement easy. Standard pallets measure 41 x 56 cm (16 x 22").

Spectrum-SL is a fast, reliable, and durable machine. Each head is equipped with a full function membrane panel keypad with the ability to control all major motions and head features without the need to return to the main panel.

With the front-rear screen clamping style we find 4 axis precise micro adjustments and swivelling front head clamp design which provides excellent control over screen placement and easy flash unit access. Flash unit is automatically recognized by the software the moment it is connected to the print head. There is no need to return to the main control panel to assign the flash to any head. Flash recognition is a standard feature because we understand that set-up time is important to every operator.

Advanced safety system for operator protection includes:

- Clear indication light tower system
- Inter-station safety bars with 2 motion disabling side bars for operator position
- Floor-mounting solid bar limits access to danger zone for operator while LOADING and UNLOADING

The Spectrum-SL has advanced software that includes MULTI-PRINT FLASHING and SEQUENCING features; combine this with CLH flashes to produce the highest printing and curing efficiency.



2.5. Prism II

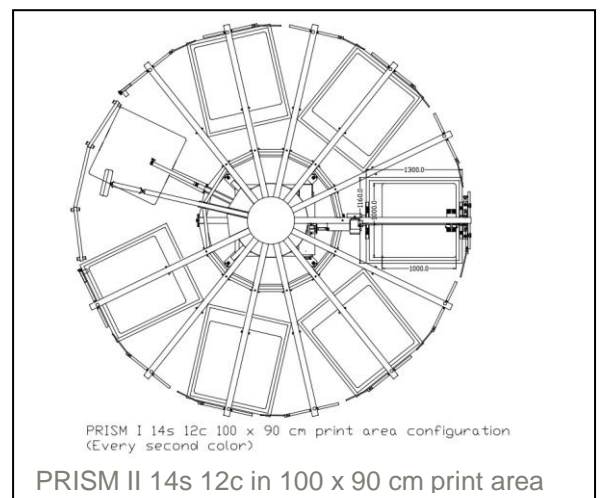
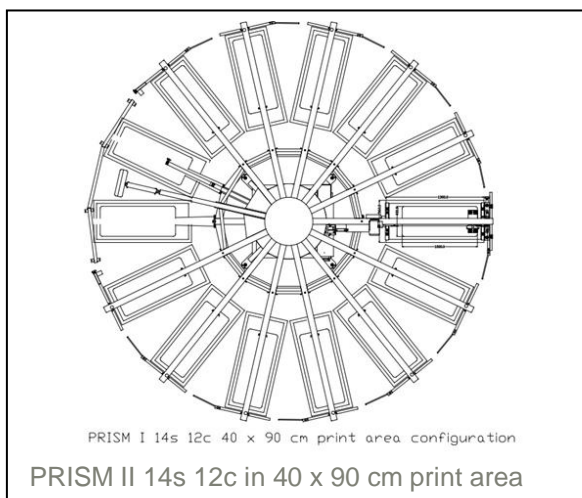
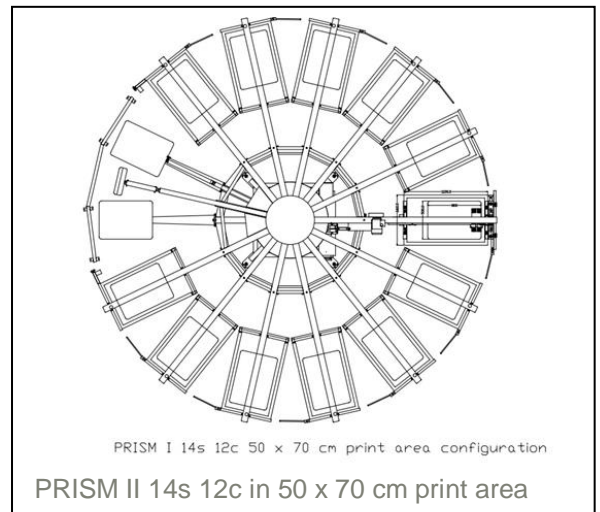
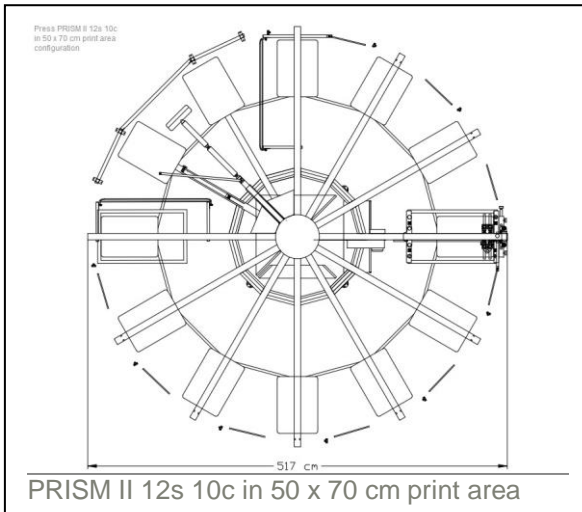
<http://bit.ly/sp-prism2>



The Prism II Rotary automatic press is the biggest and most advanced model we supply. Optimised for large printing companies it is an excellent balance of quality and price.

Print area of 50 x 70 cm (20 x 28") or 40 x 70 cm (16 x 28") or 100 x 90 cm (40 x 35") double index.

Example Configurations



3. Manual Carousels



Our manual screen printing carousels are robust, heavy duty machines designed to give years of trouble free operation. All models have micro registration fitted as standard to each print head and are designed for a lifetime of precision work. Our bench top manual is upgradable to make room for expansion.

- Side clamps make a stable platform for the screens
- Bearing registration ensures accurate repeatable registration
- Platens 40 x 50 cm standard
- Quick change pallet system
- Optional side screen air clamps, jacket hold down frames and a range of pallet option available



Each machine is of a heavy duty construction, complete with micro registration, adjustable screen clamps with the option of pneumatic clamps. A heavy duty registration system ensures accurate repeatable printing. The pallets are quick slide on and off and have quick release fittings. A range of pallets are available. Adjustable frame clamps allow various screen sizes to be used. There are many possible varieties and options.

3.1. 4 Station, 4 Colour

<http://bit.ly/sp-manual>

1	Total Diameter	330cm
2	Height	186cm
3	Max Screen Width	68cm
4	Max Print Length	Depends on pallet type, standard 50 cm
5	Screen Mounting Type	Side screen mounting, 4 screen clamps per colour
6	Off-contact registration	Individual tool less off-contact regulation for each colour
7	No. of Print Heads	4
8	No. of Print Tables	4 Rubber Coated Pallets, 41cm x 56cm
9	Micro Registration Type	Tool-less 3 axis micro registration
10	Shipping weight	280kg
11	Warranty	12 month limited warranty



3.2. 6 Station, 6 Colour

<http://bit.ly/sp-manual>

1	Total Diameter	330cm
2	Height	186cm
3	Max Screen Width	68cm
4	Max Print Length	Depends on pallet type, standard 50 cm
5	Screen Mounting Type	Side screen mounting, 4 screen clamps per colour
6	Off-contact registration	Individual tool less off-contact regulation for each colour
7	No. of Print Heads	6
8	No. of Print Tables	6 Rubber Coated Pallets, 41cm x 56cm
9	Micro Registration Type	Tool-less 3 axis micro registration
10	Shipping weight	330kg
11	Warranty	12 month limited warranty

3.3. 8 Station, 8 Colour

<http://bit.ly/sp-manual>

1	Total Diameter	375cm
2	Height	180cm
3	Max Screen Width	68cm
4	Max Print Length	Depends on pallet type, standard 50 cm
5	Screen Mounting Type	Side screen mounting, 4 screen clamps per colour
6	Off-contact registration	Individual tool less off-contact regulation for each colour
7	No. of Print Heads	8
8	No. of Print Tables	8 Rubber Coated Pallets, 41cm x 56cm
9	Micro Registration Type	Tool-less 3 axis micro registration
10	Shipping weight	440kg
11	Warranty	12 month limited warranty

3.4. 12 Station, 10 Colour

<http://bit.ly/sp-manual>

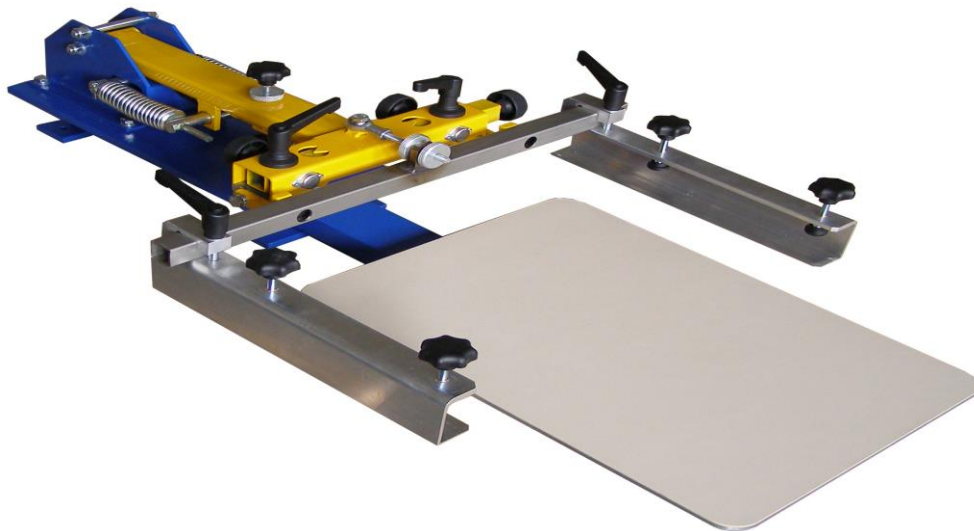
1	Total Diameter	400cm
2	Height	180cm
3	Max Screen Width	66cm
4	Max Print Length	106cm
5	Max Print Format	50 x 70cm
6	Screen Mounting Type	Side screen mounting, 4 screen clamps per colour
7	Off-contact registration	Individual tool less off-contact regulation for each colour
8	No. of Print Heads	12
9	No. of Print Tables	10 Rubber Coated Pallets, 16" x 28"
10	Micro Registration Type	Tool-less 3 axis micro registration
11	Shipping weight	750kg
12	Warranty	12 month limited warranty



3.5. 12 Station, 12 Colour

<http://bit.ly/sp-manual>

1	Total Diameter	400cm
2	Height	180cm
3	Max Screen Width	66cm
4	Max Print Length	106cm
5	Max Print Format	50 x 70cm
6	Screen Mounting Type	Side screen mounting, 4 screen clamps per colour
7	Off-contact registration	Individual tool less off-contact regulation for each colour
8	No. of Print Heads	12
9	No. of Print Tables	12 Rubber Coated Pallets, 16" x 28"
10	Micro Registration Type	Tool-less 3 axis micro registration
11	Shipping weight	750kg
12	Warranty	12 month limited warranty



We also supply a manual all over press

Contact us for more details



4. Semi-Automatics



Sophisticated and sturdy clam and paralift semi-automatic printers designed with practicality and efficiency in mind. Well suited to a wide variety of applications.

4.1. Clam Type Semi-Automatic

<http://bit.ly/sp-clam>



Shown with manual clips and stainless steel flood and squeegee bars.

This printer shown is used for printing flat substrates Up to 50mm thick. Any size machine can be built to suit customer requirements. The head comprises a heavy duty print and flood bar mechanism suitable for large format printing. The head is fitted with stainless steel bars which carry the flood bar and squeegee and deliver even pressure across the print.

Standard machine sizes are available with manual or pneumatic screen clamps and a micro adjustable base for fine registration. An inlaid control panel allows the easy access of the controls without being obtrusive. The unit can be controlled via touch a HMI with PLC system or a manual switches as shown.

This printer is a single phase machine requiring nominal air supply. All the drives are electric and all functionality is controlled via a state of the art PLC control system.

Highly versatile & Footswitch control, ideal for:

- Sampling
- Transfers
- Wallpaper samples
- Most flat substrates

Model No.	Size	
1	15" x 20"	381mm x 510mm
2	20" x 30"	510mm x 760mm
3	30" x 40"	760mm x 1020mm
4	40" x 60"	1020mm x 1525mm



4.2. Paralift Semi-Automatic Printer

<http://bit.ly/sp-paralift>

These semi-automatic printers are equipped with a host of features. Designed to print on flat substrates, these machines are fitted with a PLC control system, which controls all the functionality of the machine from a console. The head is fitted with pneumatic cylinders which give even pressure over the print area. The aluminium suction base is fitted with micro adjustment and a high pressure vacuum pump. The unit is fitted with safety rails on either side of the head and a light guard at the front of the machine ensuring operator safety.



These machines come in a range of standard sizes, but any non-standard size can be built to customer requirements. These machines are single phase plug and play systems and only require a nominal air supply.

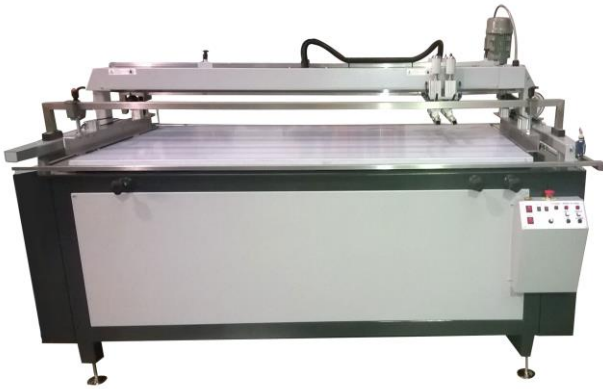
- Fitted with a user-friendly PLC
- Touch screen control console
- Light guard for operator safety
- Paralift head
- Single phase 13 amp
- Light guard for operator safety
- Sliding table
- Small compressed air requirement
- Multifunction control
- High pressure vacuum
- Standard print areas

Model	Dimensions
1	520mm x 780mm
2	780mm x 1020mm
3	1020mm x 1550mm



4.3. Paralift Multi-Purpose Glass Printer

<http://bit.ly/sp-glass>



The Sureprint semi-automatic paralift Glass Printer is optimised for printing on glass but can also be used for a variety of other heavy substrates in addition to paper and board.

- Precision control can be exercised using its micro adjustment system and the frame size and print stroke can be adjusted.
- The machine has an extremely efficient motor driven head and the pneumatic lifting system offers 600mm clearance height for easy loading and unloading. Additionally, the unit provides easy access with the front loading screen.
- Running on single phase plug n play, installation and operation is very straight forward and safe with the all-round safety bar system. Any size made to order.



5. Multi Printers



5.1. Multi Printer – MP1: Clam Action



<http://bit.ly/sp-multi>



The Multi Printer has been designed to be a versatile screen printer with the primary function of being able to print single colour t-shirts and bag applications but can also print multicolour rigid substrates such as transfers, graphics or rigid sheet products. The Multi Printer has been designed to be used in shops where large automatics are used to print single jobs under utilising the capacity of larger machines.

The Multi Printer can be fitted with optional extras including a vacuum pump and vacuum pallet system allowing the printer to be used for rigid multicolour printing. The vacuum pallet is a quick release system allowing the machine to be converted from a textile to graphic unit in a matter of minutes.

Can be supplied in different sizes or made fit gloves, socks or other shaped items. Small footprint, allows the machine to be fitted into those small under-utilised spaces or between dryers.

Specifications:

- 10 amp single phase, plug and play.
- Pneumatic air requirement 5L per cycle.
- Fitted with micro registration.
- Easy off contact system.
- Takes standard textile screen 24" x 34".
- Manual clamping system with optional pneumatic clamps.
- Optional vacuum system and vacuum pallet

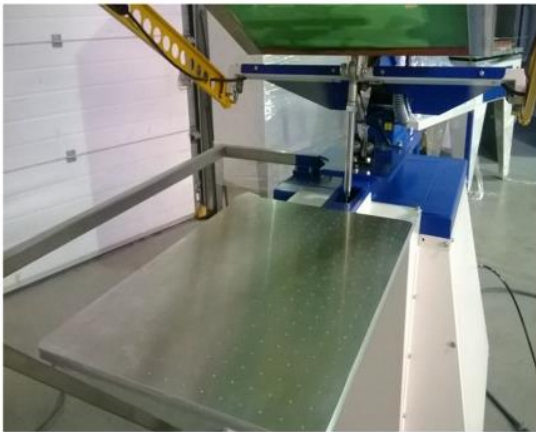
The PLC screen allows the user to control the machine functions from the screen. Different functions allow the use of counters, dwell time and machine functionality.

A small versatile printer with the ability to be used for a range of different applications. A perfect machine for quick sampling of products to whole sale production of those monotonous single colour print jobs.

The MP2 is now available, a parallel sliding table allows easier loading and unloading of products, a larger height adjustment means thicker products can be printed such as binders and moulded products.



The Sureprint Multi Printer is designed for the speedy production of single colour prints onto items such as bags, tee shirts, binders, transfers etc. A clam type printer with good clearance for the easy load and unload of substrates.



Above shown is a quick change pallet system with optional vacuum system for transfer papers and solid substrates.



Shown above with standard rubber-coated pallet for textile printing. Safety guards prevent operator injury. If the guard is tripped the head gently rises away from the operator.



Above PLC touch screen controller allows easy access to the machine functions. This is a very easy to use system and can be learned to operate in a few minutes. The picture on the right shows micro adjustment and frame loading clamps



6. Tea Towel & Multi Colour Inline Printers



6.1. Overview

<http://bit.ly/sp-inline>



Ideal for print shops with limited space – 2 colour machine can fit in corner of the room

Sureprint is pleased to announce a brand new range of automatic printing machines for large format substrates such as tea towels and oversize prints.

The Imprint is a range of multicolour printers designed to satisfy a large format print requirement but utilise a bare minimum of floor space. The Imprint range has been designed to print in a linear motion rather than a circular motion this saves a great deal of floor space and requires only a single operator to run the machine. A circular machine takes up on average three times the floor space of an Imprint machine.

- Built for water based ink systems printing wet on wet.
- 2 x pallets, traversing under each print station
- Prints then travels to next station so will print 1 to 5 colours
- When all prints complete pallet returns to load station
- Fixed heads to enable easy cleaning
- 1m ergonomic loading height
- Operated by foot pedal
- Set of squeegees and flood bars
- Maximum print area size 80cm x 48cm
- Maximum screen size 120cm x 82cm
- Single or twin platen options

Efficient, Versatile & Affordable

- PLC programmable multifunction controller to automatically run the entire print process, squeegees, flood bar etc.
- Very low maintenance
- Single phase less than 4 amps
- One person operation

- Flood and print bar are pneumatically operated
- Electric drive motor enables smooth operation on the print head and base carriage
- Double stroke capacity with the head operating front to back and flood coat up and down
- Print stroke adjustment

6.2. Large Format Version

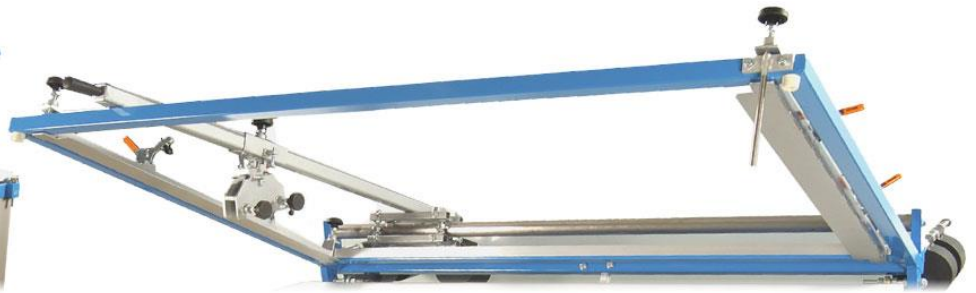
- Large format 1 to 5 colours for tea towels, dresses, bath mats etc
- The Imprint is available in one to five colours in a large format version
- This machine is used where floor space is at a premium



7. Hand Benches



<http://bit.ly/sp-benches>



Sureprint have developed a range of hand benches over a number of years and manufacture one of the best screen printing benches available. Each machine is sturdily built and requires almost no maintenance requirements other than a light oiling. The benches are light and easy to use. Each machine is fitted with an aluminium suction base and strong vacuum. Adjustable side arms fitted with toggle clamps allow any size frame to be fitted up to the maximum frame size of the master frame. A light and easy to handle one arm with shackle with counter balance makes light work of printing. A range of standard sizes are available, but any size can be made to handle a wide variety of print jobs.

Features



- Powerful suction motor.
- Micro adjustable suction base
- Rear weight counter balance system.
- One arm squeegee unit.
- Front register locking device.
- Single phase.
- Each unit can be split for easy access through a standard doorway.

Standard sizes: Print area

- Model 1: 510mm x 410mm
- Model 2: 510mm x 760mm
- Model 3: 760mm x 1020mm
- Model 4: 1020mm x 1525mm
- Model 5: 1250mm x 2500mm
- Large Format - Custom built to order (Example Image)



8. Flash Dryers

<http://bit.ly/sp-flash>



Sureprint manufacture a range of high quality flash dryers for both semi-automatic and manual carousels. Available in various specifications to suit individual textile printing requirements. Each machine is fitted with fast acting emitters, a photo electric sensor, high pressure fan and filter system, available in 5, 6, or 9 lamps variations. Single or three phase options.

8.1. Automatic Machine Flash Dryer



Sureprint manufacture a range of flash dryers for automatic carousels, these sleek dryers are fast and very efficient dryers. Using our Magelis controllers these units are very user friendly and are totally controllable from the user screen. Dwell time, power level settings are controllable to one percent of total output power, dwell time or standby settings can also be set to ensure fast response from the lamps when activated by either sensor or machine.

- 6 medium wave lamp 50cm x 60cm
- 9 medium wave lamp 50m x 70cm
- PLC control, zone control, temperature control
- Large fan gives good air movement
- Filtration system to capture fibres - easily removed and cleaned
- Fitted with safety features including thermal safety switch
- Free standing or can be made to fit any print machine

MODEL NO.	0	1	2	3	4	5	6
Max frame size	76cm x 91cm 30" x 36"	107cm x 132cm 42" x 52"	155cm x 132cm 61" x 52"	183cm x 152cm 72" x 60"	229cm x 183cm 90" x 72"	270cm x 221cm 107" x 87"	320cm x 221cm 125" x 87"
Width	86cm / 34"	117cm / 46"	163cm / 64"	193cm / 76"	239cm / 94"	310cm / 122"	360cm / 142"
Height	168cm / 66"	180cm / 71"	191cm / 75"	209cm / 82"	246cm / 97"	290cm / 115"	290cm / 115"
Depth	73.6cm / 29"	73.6cm / 29"	73.6cm / 29"	73.6cm / 29"	73.6cm / 29"	73.6cm / 29"	73.6cm / 29"

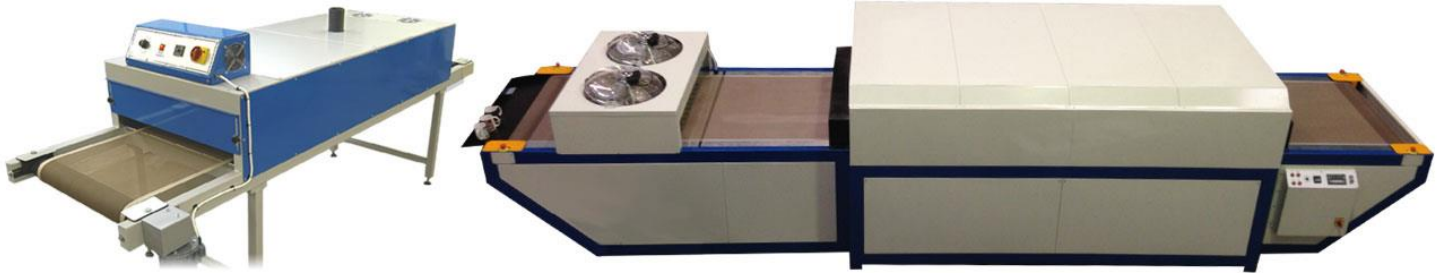
8.2. Manual Carousel Flash Dryer



A front mounted sensor activates the lamps, the dryer can also be controlled by a foot switch is required. A tapered design allows the unit to be used with any carousel, the head is easily adjusted up or down. All Sureprint flash dryers are fitted with quick change filters. Each filter can be washed with a high pressure hose, this stops lint and glue being drawn into the dryer.

9. Drying Systems

<http://bit.ly/sp-drying>



We manufacture a wide range of dryers to satisfy a variety of curing requirements. A range of infra-red tunnel dryers designed to satisfy the requirement for drying water based and plastisol inks is available in three standard belt widths 60cm, 90cm & 120cm. Oven lengths come in three sizes 120cm, 150cm & 200cm.

STANDARD FEATURES:

- Variable belt speed
- Mains isolator
- Digital thermostat controlling temperature
- Air circulation fans
- Fume exhaust
- Can be dismantled to fit through a standard doorway

9.1. Infra Red



Designed for curing water-based and plastisol ink we manufacture a range of infra-red dryers to suit both small and large format textile drying applications. Belt widths start at 450mm and can be made in single and twin belt options for large dryers. Single and three phase options are available.

60cm Infra-Red Dryer with 3m Oven section

9.2. Forced Air

Designed for processes that require powerful airflow and curing of printed products in temperatures up to 60 degrees Celsius. The hoods can be raised to allow easy access for maintenance and cleaning. Image shows Forced Air Dryer with 1500 mm wide belt.



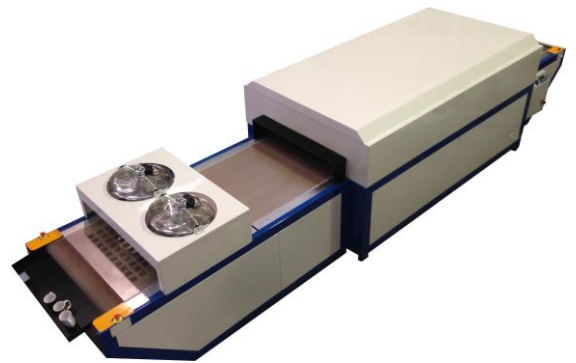
9.3. U.V.



Variety of models with range of belt sizes to suit a any U.V. curing requirements. Shown above is our mini dryer range which provides users with a very small well-built machine suitable for sampling or for curing a variety of printed products.

9.4. Gas

High volume curing gas dryers suited for high temperatures and large run printing. Powerful air re-circulation throughout the oven ensures even airflow at the desired temperature. Model shown is optimised for Dye Sublimation Mug Curing.

**9.5. Combination**



Modular systems which can be added to at a later stage. These modules can be forced air, infra red, gas or U.V. A variety of belt widths and oven lengths are available. The hoods can be raised to allow easy access for maintenance and cleaning.

A range of modular dryers capable of being adapted to suit any type of drying requirement. The dryers are built in modules which can be added to at a later stage.

THESE MODULES CAN BE:

- Forced air
- Infra-red
- Gas
- U.V.

A variety of belt widths and oven lengths are available. The hoods can be raised to allow easy access for maintenance and cleaning. Standard modules come in 200cm and 300cm long sections, each can be dismantled for on-site assembly. Standard features include a touch screen PLC which handles all the main functionality of the unit. Each dryer has an all-round safety system, door interlocks and mains isolators. These dryers are efficient solutions to a variety of curing problems.



10. Drying Cabinets



<http://bit.ly/sp-drycab>



Sureprint manufacture a wide variety of drying cabinets for different applications. Cabinets can be manufactured in any size and shape and be required to dry a wide variety of substrates including coated / washed screens or printed products. Screen drying cabinets are manufactured in two versions:

10.1. Vertical



Vertical drying cabinets are manufactured to allow frames to be placed upright allowing excess water to run off the screens into a drain after the washing process. Both types of cabinet can be made to any size and house any number of screens of different sizes.

10.2. Horizontal



Horizontal cabinets designed to dry emulsion coated screens with the screens laid flat to keep emulsion level whilst drying. These cabinets can be made to house up to thirty frames and an optional light table can be fitted to the top of 6 frame cabinets for artwork or stencil touch up. The standard range accommodates six screens.

10.3. Combination Exposure / Drying Units



Actinic exposure units can be built into the top of our drying cabinets to provide a dual purpose machine that saves floor space.



11. Exposure Units

<http://bit.ly/sp-expo>



Sureprint exposure units are manufactured proudly in the UK and are suitable for exposing direct and indirect stencils in an open work room. Each unit is totally enclosed and manufactured in two sections to fit through a standard doorway.

11.1. Models 1 - 3



- Exposure rapid start systems come complete with a single channel timer.
 - Fitted with toughened safety glass and magnetic switch on the exposure unit lid for operator safety. Units up to 2kw are single phase and supplied with a three pin plug. Units 3kw and above are three phase neutral and earth.
 - Controls mounted on the front access panel allow easy lamp changes.
 - Digital light integrator is optional. This compensates for lamp degradation over time and automatically adjusts the length of the exposure.
 - Powerful suction pump ensures intimate contact between artwork and screen giving perfect exposures every time.
- Each exposure unit is suitable for direct or indirect films and can be used in an open work room.
 - A safety switch disconnects power to the lamp system if the lid is opened whilst an exposure is being carried out.
 - Fitted with fluorescent tubes for artwork positioning and stencil touch up. Sureprint Exposure Units are made bespoke to each operation.
 - Rapid start systems with timer control 3 phase available on models 2 and 3, Single phase available on Models 1, 2, 3, Integrated versions available.

MODEL NO.	GLASS AREA		SPEC
Model 1	46" x 29"	1165mm x 730mm	2kw
Model 2	49" x 39"	1245mm x 990mm	2kw
Model 3	50" x 68"	1270mm x 1725mm	3kw or 5kw



11.2. Actinic Range



This range offers the entry level user or educational establishment the opportunity to produce excellent quality stencils using a machine developed as a lower cost version of a self-contained exposure unit. The stencils are as good as the Metal Halide range but take longer to expose due to the lower power levels of the machine.



Available in three standard sizes these units split down and will fit into the smallest space. The legs are removable which makes installations very easy. The Actinic range are also manufactured with drying cabinets underneath for space saving. Available in a variety of sizes to suit all frame sizes.

Three models of our combination drying cabinet and actinic exposure unit are available as standard, but other sizes can be fabricated to customer requirements. The combination units are especially good for areas where space is at a premium.

11.3. Light Sources



Sureprint manufacture a range of metal halide light sources suitable for exposing frames with a print down frame. Two types are available, shuttered and rapid start systems. A choice of power outputs are available from 1K/w - 8K/w levels and the most popular options for most printers include the Rapid Start systems with an integrator. The unit pictured is a shuttered system with a light integrator. The Sureprint light integrator is a tried and tested control system for controlling exposure times. The light integrator compensates for the degradation of a lamp over its life time and increases exposure time to compensate.

The same PLC control system is used in our timed range. Light sources are available in the following range.

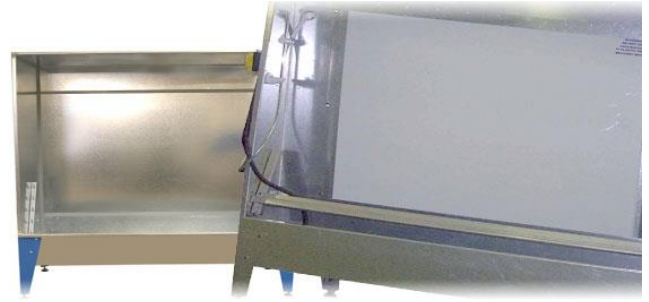
- 1.2 KM Rapid Start single phase.
- 2 KM Rapid Start single phase.
- 3 KM Rapid Start single phase.
- 5 KM Rapid Start three phase.
- 6 KM Rapid Start three phase.
- 8 KM Rapid Start three phase.

Sureprint manufacture print down frames to complement our range of light sources. Any size, flip over or vertical frames available made to order.



12. Washout Booths

<http://bit.ly/sp-washout>



Sureprint manufacture a range of pre-press equipment for developing and processing screens before and after printing. The Sureprint range of Stencil Processing Units and Washout Booths are available in galvanised steel, polypropylene and stainless steel versions. A range of standard models are available but special sizes can be accommodated.

- With or without illuminated back light
- Stainless steel construction with adjustable leg height
- Drip trays ensure a safe working environment

Model	Millimetres	Inches
0	760mm x 920mm	30" x 36"
1	1065mm x 1325mm	42" x 52"
2	1550mm x 1325mm	61" x 52"
3	1830mm x 1525mm	72" x 60"
4	2285mm x 1830mm	90" x 72"

12.1. Stencil Preparation Unit



Stainless Steel

- Electric shower head attachment
- Perspex diffuser panel with switch to activate.
- Fluorescent tubes accessible from the rear via two access doors.

12.2. Standard Models

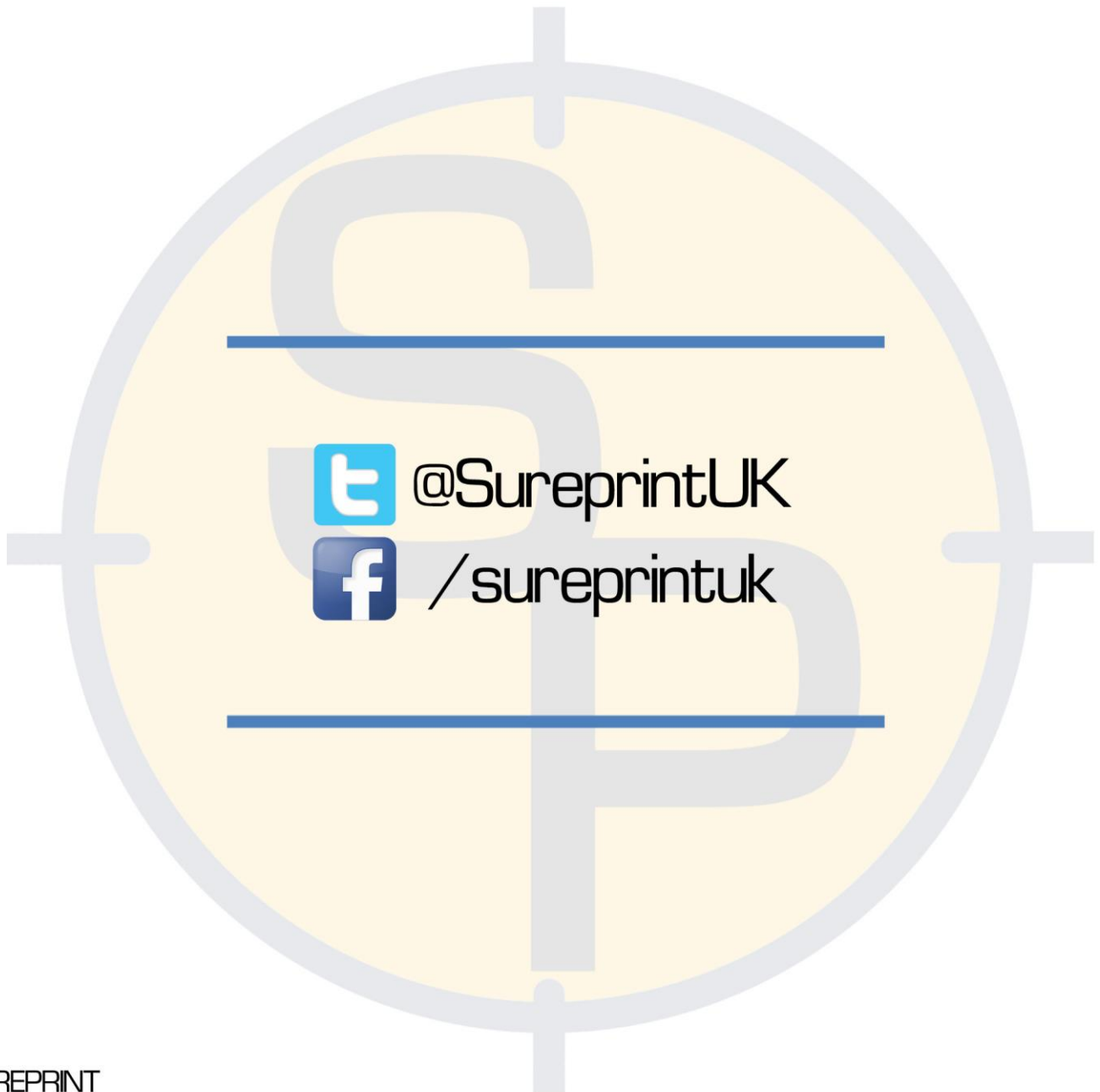


Stainless Steel

- Easy access through standard doorways



www.sureprint.net



SUREPRINT
UNIT 1 PARK COURT
PARK LANE BUSINESS PARK
KIRKBY IN ASHFIELD
NOTTS
NG17 9GW
ENGLAND

E-mail: info@sureprint.net
Tel: +44 (0)1623 755800